

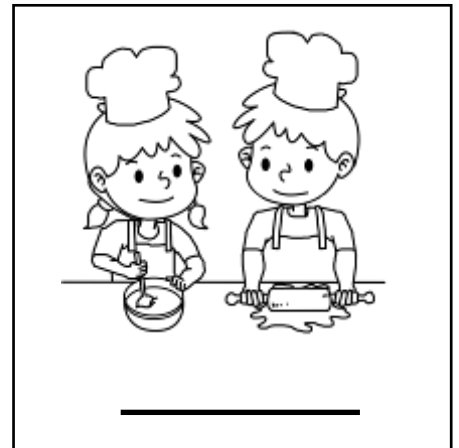
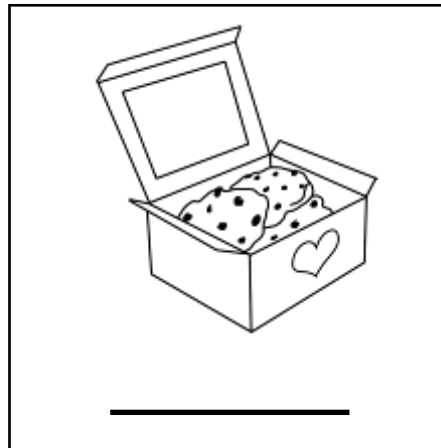
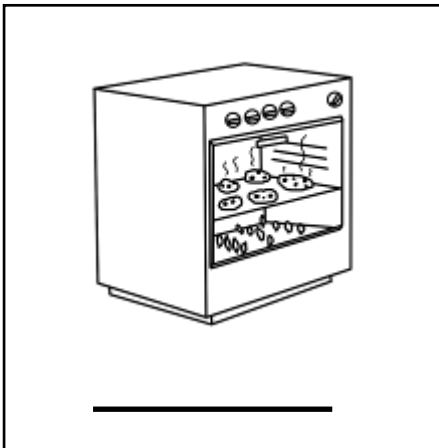
Read and recall: Cookie time

Grade 1 Reading Worksheet

Read the passage 3 times. Check a box each time you read.

Today is Grandma's birthday! We want to make her chocolate chip cookies. First, we make the dough. Next, we put them on the pan. After, we put them in the oven. Last, we took them out to cool down. Then, we put them in a box for Grandma. She loved them!

Write a number on each picture to show the correct order.



NEXT PAGE 

Read and recall: Cookie time

Grade 1 Reading Worksheet

Without looking back at the passage, answer the following questions.

Multiple Choice

What is special about today?

- a. It is Grandpa's birthday.
- b. It is Grandma's birthday.
- c. It is my birthday.

What kind of cookies did we make?

- a. Sugar
- b. Chocolate chip
- c. Strawberry

True or False

We put the cookies in a box for Grandma. (True) (False)

Fill in the Blank

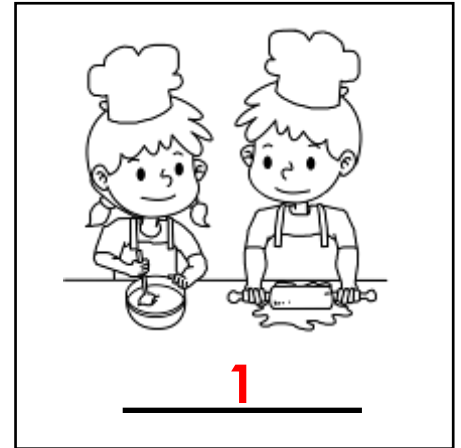
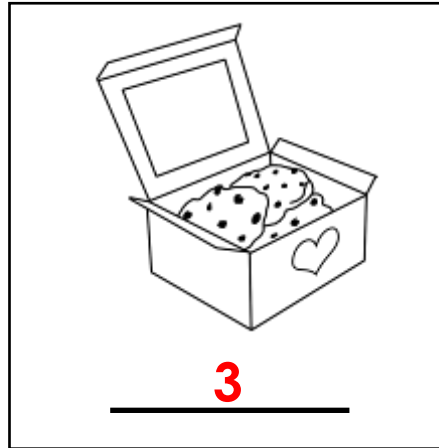
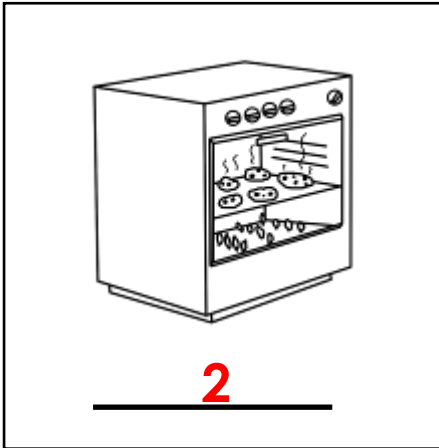
After, we put them in the _____.

Read and recall: Cookie time

Grade 1 Reading Worksheet

Answers

Write a number on each picture to show the correct order.



What is special about today?

- a. It is Grandpa's birthday.
- b. It is Grandma's birthday.
- c. It is my birthday.

What kind of cookies did we make?

- a. Sugar
- b. Chocolate chip
- c. Strawberry

We put the cookies in a box for Grandma.

(True) (False)

After, we put them in the oven.