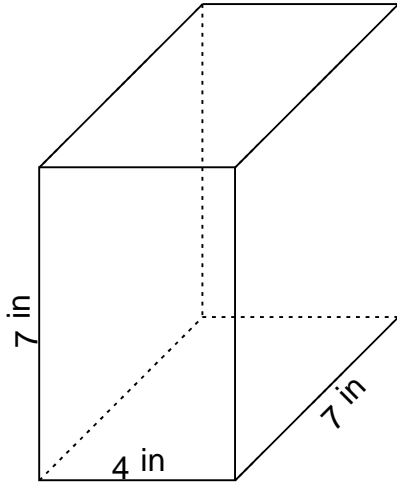


Volume & surface area of 3D shapes

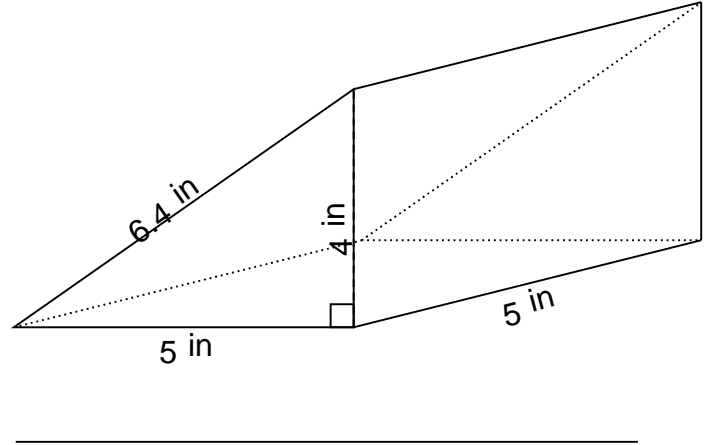
Grade 6 Geometry Worksheet

Find the volume and surface area.

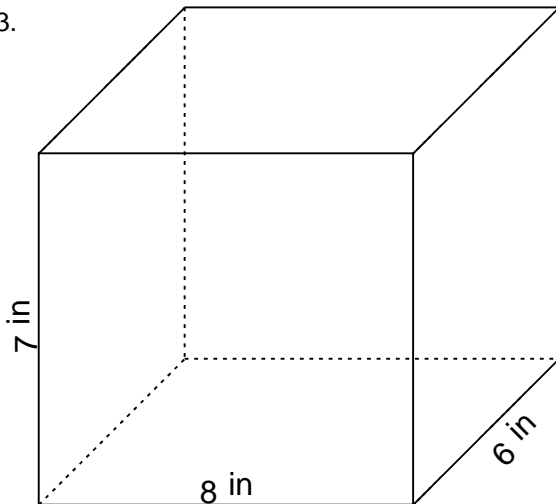
1.



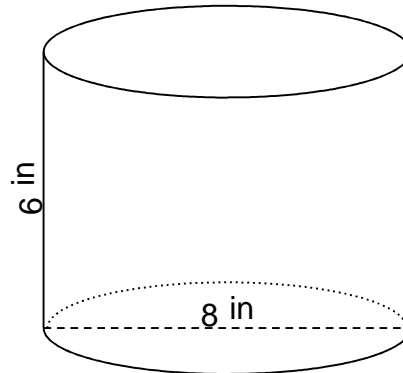
2.



3.



4.

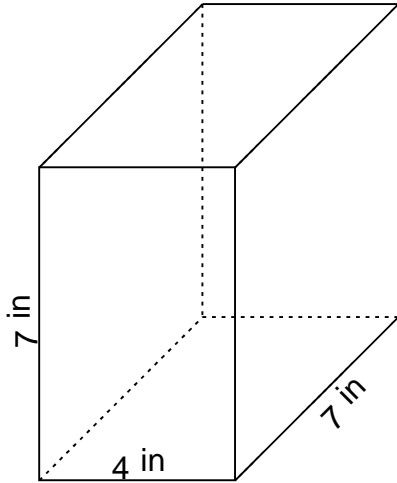


Volume & surface area of 3D shapes

Grade 6 Geometry Worksheet

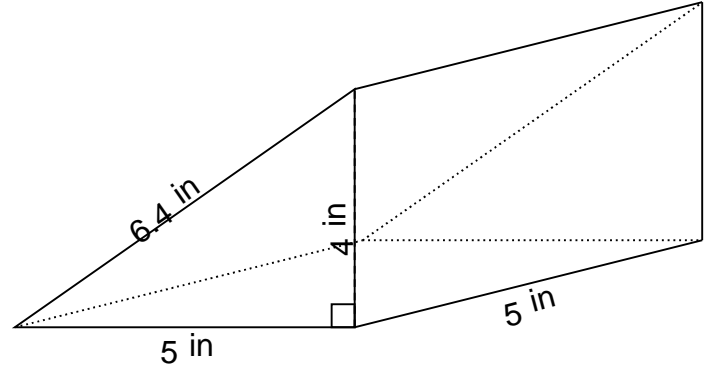
Find the volume and surface area.

1.



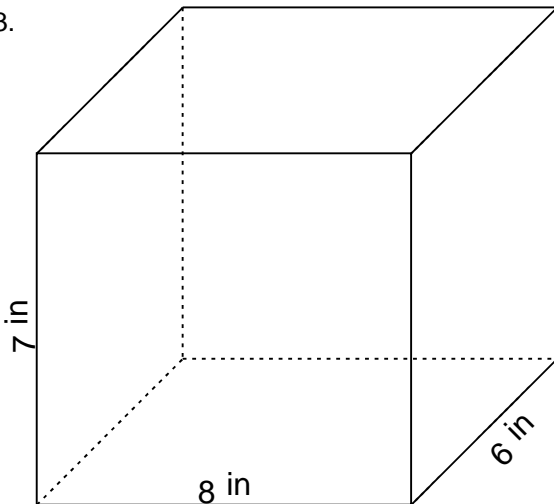
$$V = 196 \text{ in}^3 \quad SA = 210 \text{ in}^2$$

2.



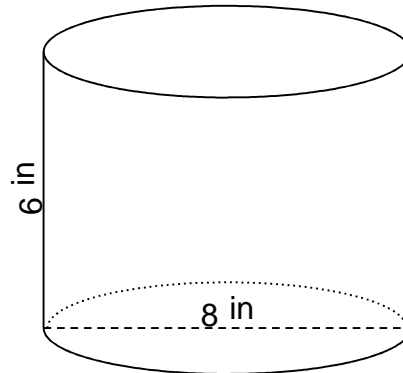
$$V = 50 \text{ in}^3 \quad SA = 97.0 \text{ in}^2$$

3.



$$V = 336 \text{ in}^3 \quad SA = 292 \text{ in}^2$$

4.



$$V = 301.59 \text{ in}^3 \quad SA = 251 \text{ in}^2$$