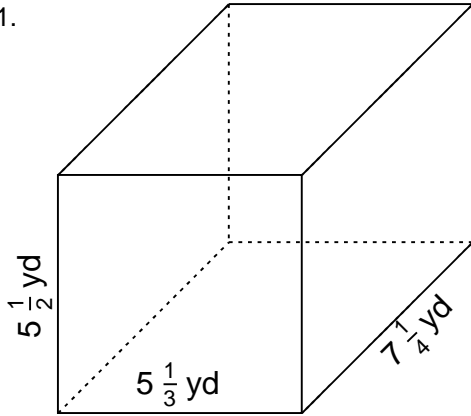


Rectangular prism - volume & surface area

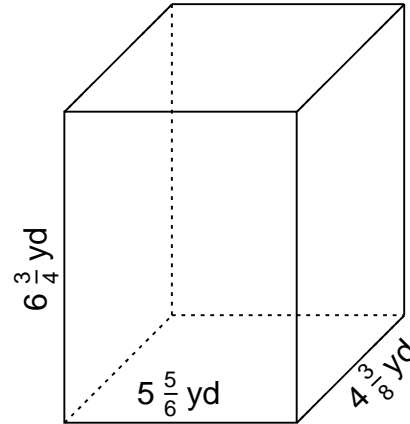
Grade 6 Geometry Worksheet

Find the volume and surface area.

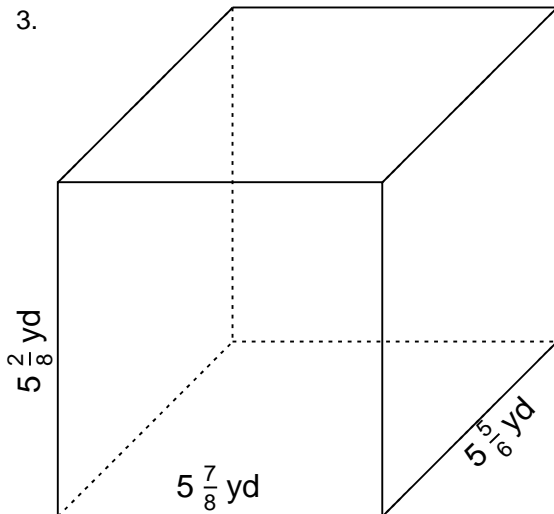
1.



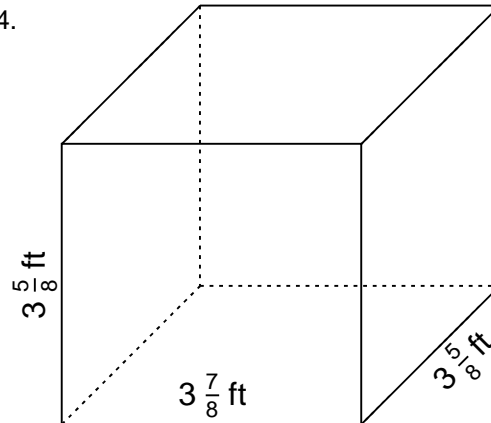
2.



3.



4.

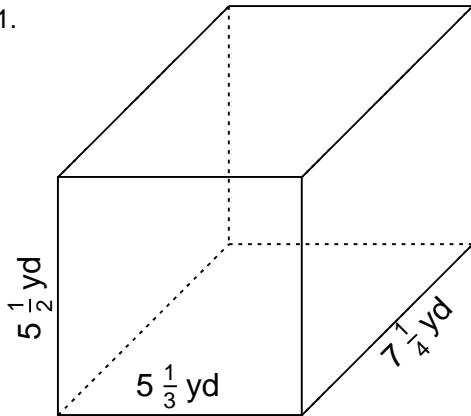


Rectangular prism - volume & surface area

Grade 6 Geometry Worksheet

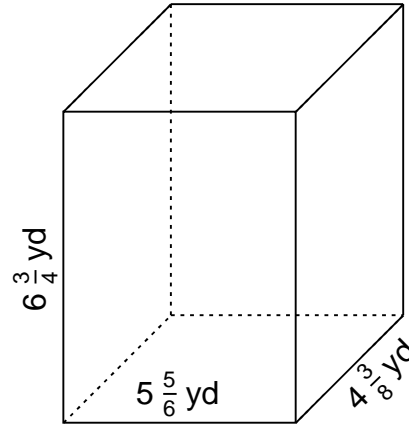
Find the volume and surface area.

1.



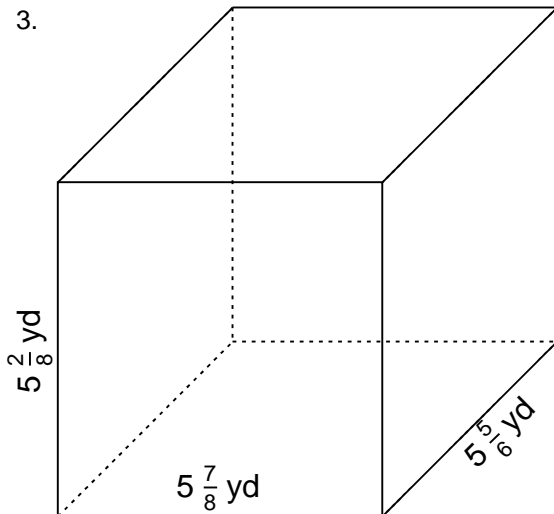
$$V = 212 \frac{2}{3} \text{ yd}^3 \quad SA = 215 \frac{3}{4} \text{ yd}^2$$

2.



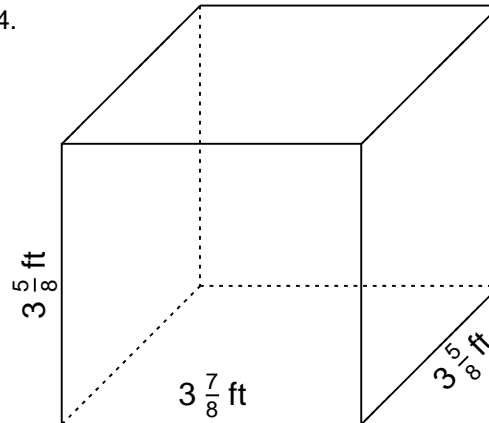
$$V = 172 \frac{17}{64} \text{ yd}^3 \quad SA = 188 \frac{41}{48} \text{ yd}^2$$

3.



$$V = 179 \frac{59}{64} \text{ yd}^3 \quad SA = 191 \frac{23}{48} \text{ yd}^2$$

4.



$$V = 50 \frac{471}{512} \text{ ft}^3 \quad SA = 82 \frac{15}{32} \text{ ft}^2$$