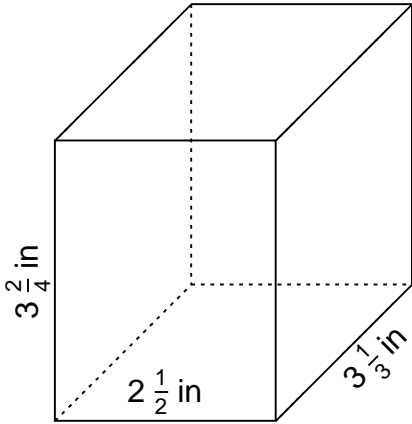


Rectangular prism - volume & surface area

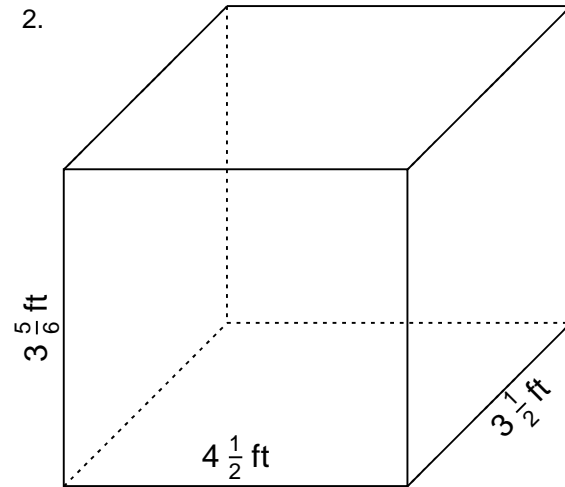
Grade 6 Geometry Worksheet

Find the volume and surface area.

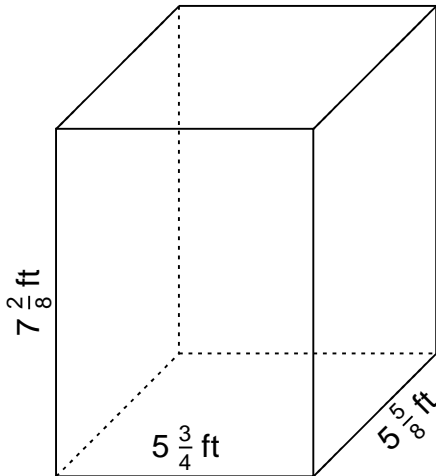
1.



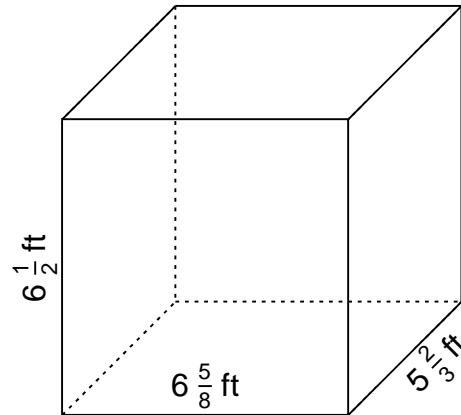
2.



3.



4.

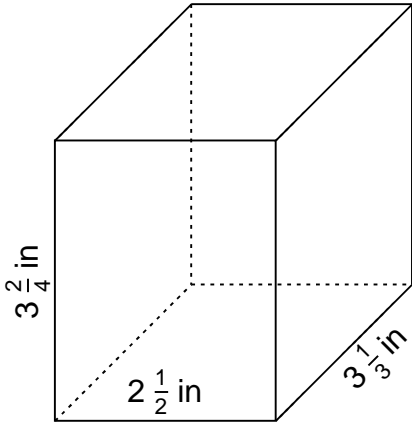


Rectangular prism - volume & surface area

Grade 6 Geometry Worksheet

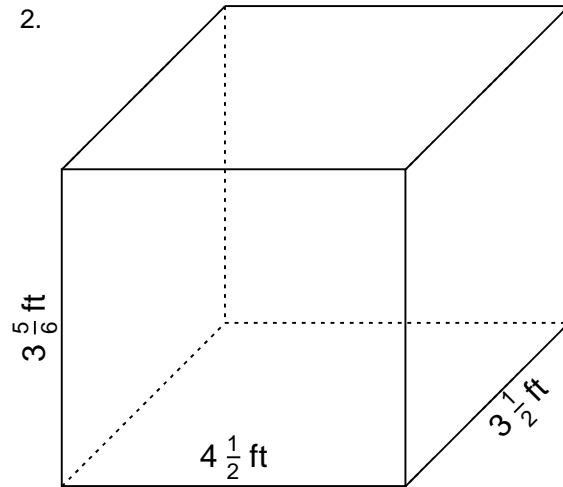
Find the volume and surface area.

1.



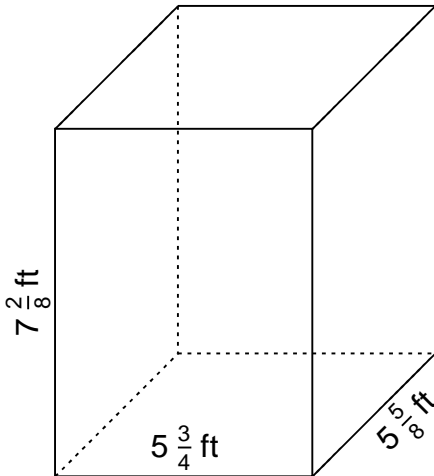
$$V = 29 \frac{1}{6} \text{ in}^3 \quad SA = 57 \frac{1}{2} \text{ in}^2$$

2.



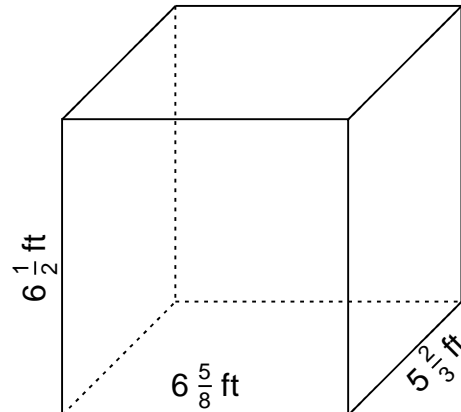
$$V = 60 \frac{3}{8} \text{ ft}^3 \quad SA = 92 \frac{5}{6} \text{ ft}^2$$

3.



$$V = 234 \frac{63}{128} \text{ ft}^3 \quad SA = 229 \frac{5}{8} \text{ ft}^2$$

4.



$$V = 244 \frac{1}{48} \text{ ft}^3 \quad SA = 234 \frac{7}{8} \text{ ft}^2$$