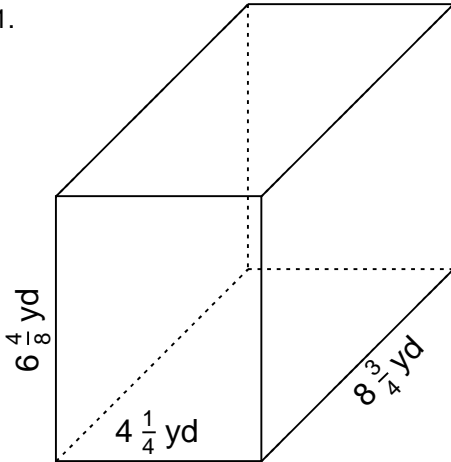


Rectangular prism - volume & surface area

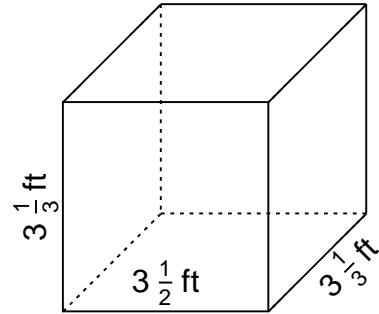
Grade 6 Geometry Worksheet

Find the volume and surface area.

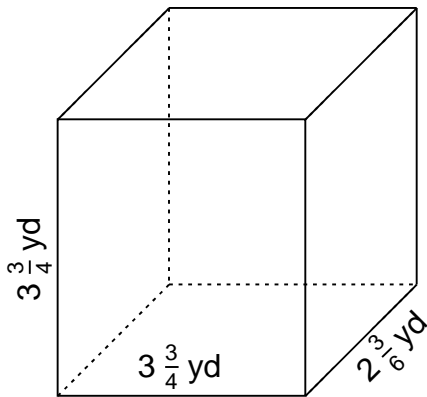
1.



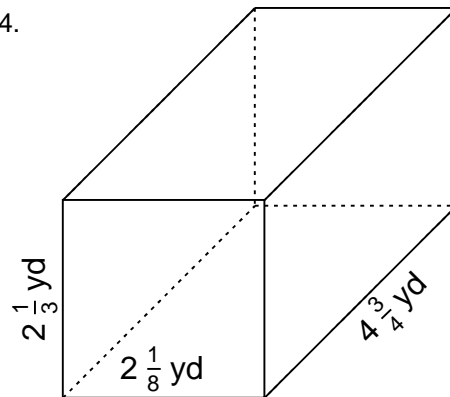
2.



3.



4.

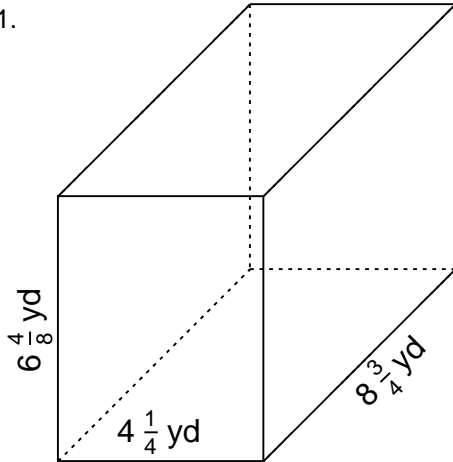


Rectangular prism - volume & surface area

Grade 6 Geometry Worksheet

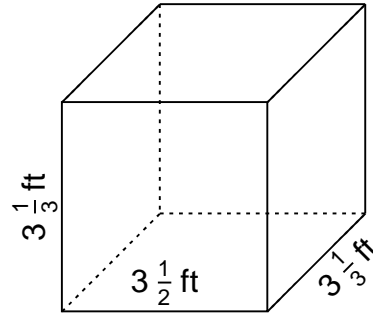
Find the volume and surface area.

1.



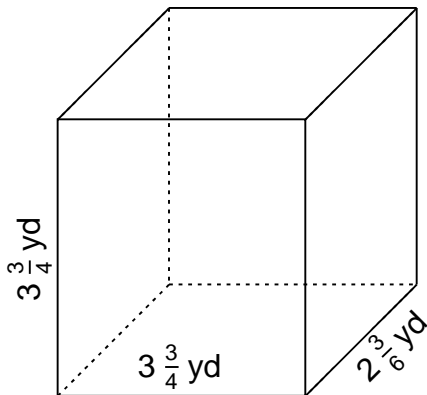
$$V = 241 \frac{23}{32} \text{ yd}^3 \quad SA = 243 \frac{3}{8} \text{ yd}^2$$

2.



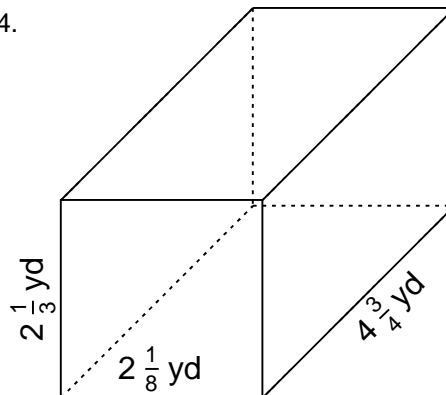
$$V = 38 \frac{8}{9} \text{ ft}^3 \quad SA = 68 \frac{8}{9} \text{ ft}^2$$

3.



$$V = 35 \frac{5}{32} \text{ yd}^3 \quad SA = 65 \frac{5}{8} \text{ yd}^2$$

4.



$$V = 23 \frac{53}{96} \text{ yd}^3 \quad SA = 52 \frac{13}{48} \text{ yd}^2$$