

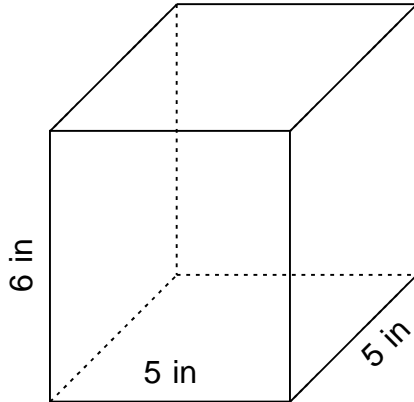
## Rectangular prism - volume & surface area

---

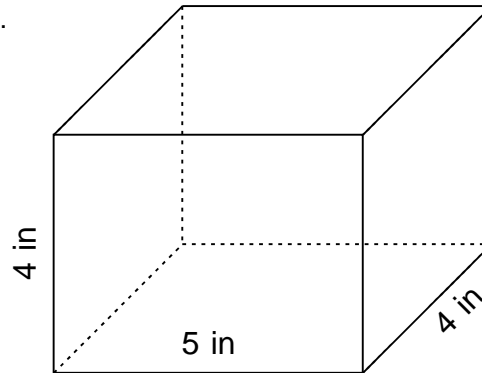
### Grade 6 Geometry Worksheet

Find the volume and surface area.

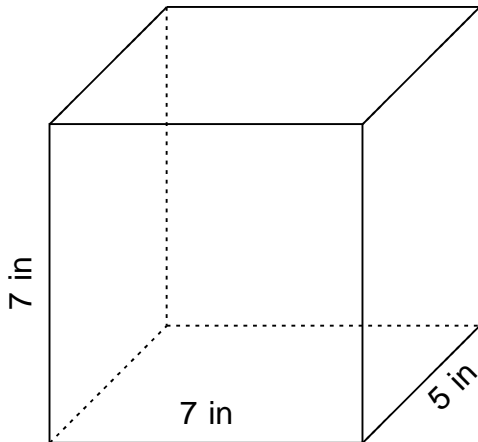
1.



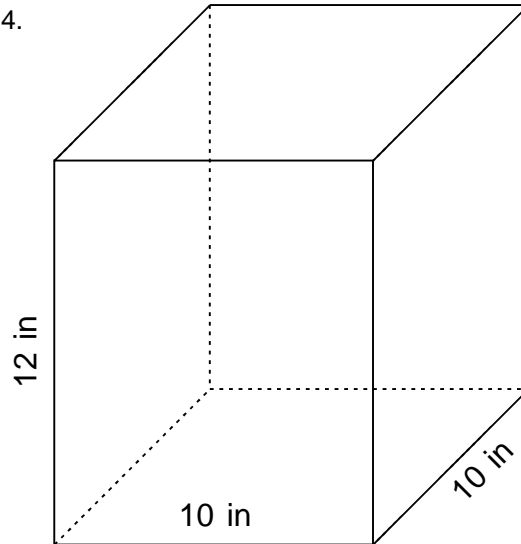
2.



3.



4.



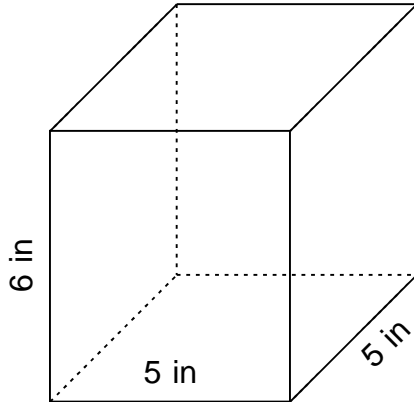
## Rectangular prism - volume & surface area

---

### Grade 6 Geometry Worksheet

Find the volume and surface area.

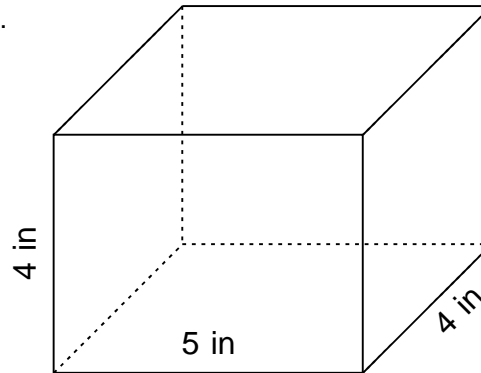
1.



---

$$V = 150 \text{ in}^3 \quad SA = 170 \text{ in}^2$$

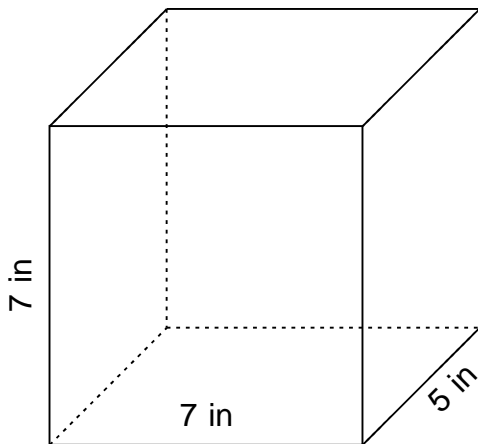
2.



---

$$V = 80 \text{ in}^3 \quad SA = 112 \text{ in}^2$$

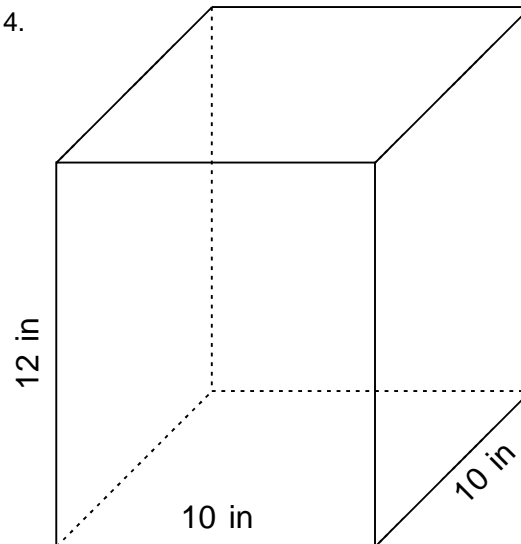
3.



---

$$V = 245 \text{ in}^3 \quad SA = 238 \text{ in}^2$$

4.



---

$$V = 1,200 \text{ in}^3 \quad SA = 680 \text{ in}^2$$