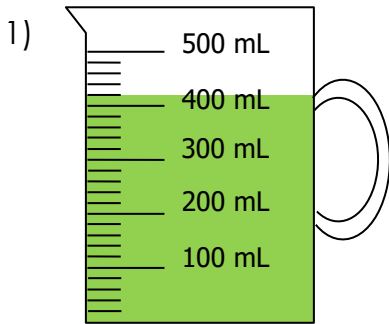


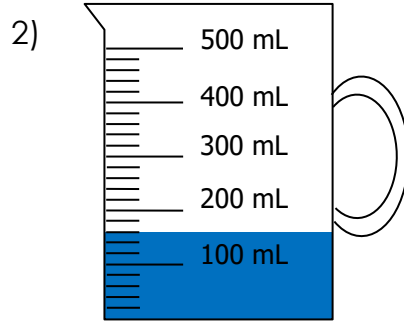
Reading a measuring cup (metric)

Grade 3 Measurement Worksheet

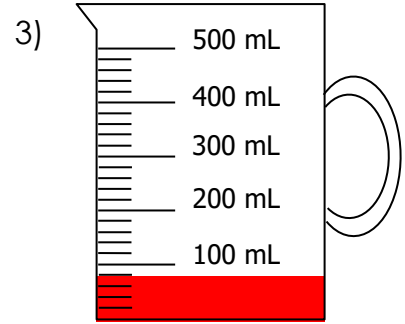
Find the volume of the juice in milliliters (mL) in the following measuring cups.



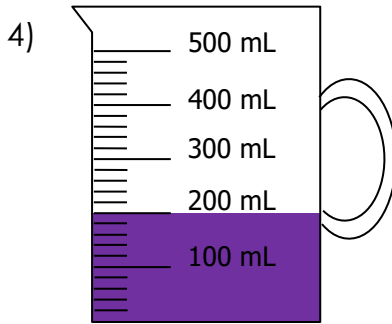
_____ mL



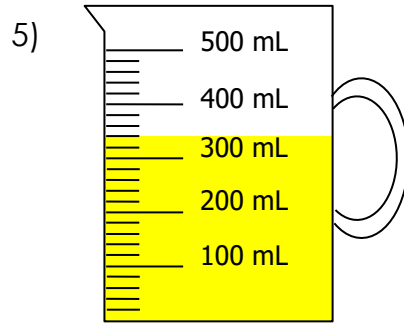
_____ mL



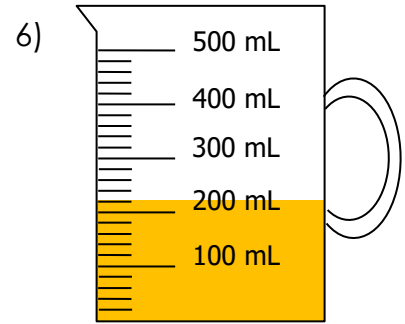
_____ mL



_____ mL

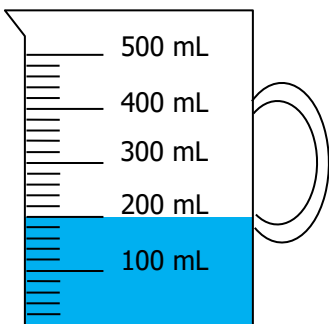


_____ mL

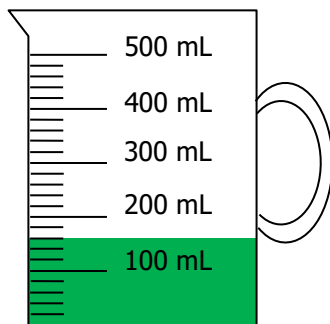


_____ mL

Pour one half of the first cup into the second cup. Draw both cups again.



Cup A



Cup B



Answers

1) 420 mL

2) 160 mL

3) 80 mL

4) 200 mL

5) 340 mL

6) 220 mL

