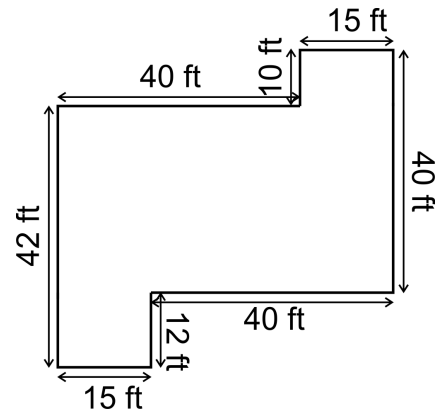

Area and Perimeter Problems

1. On paper, Mr. Smith's house plan measures 9" x 12".
In reality, the house is 40 times as big. Find the
perimeter of the house in feet, and its area in square feet.

2. Find the floor area of this house.

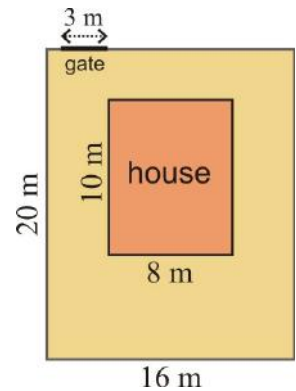


3. The picture shows a rectangular yard with a 3-m gate,
and a house inside the yard.

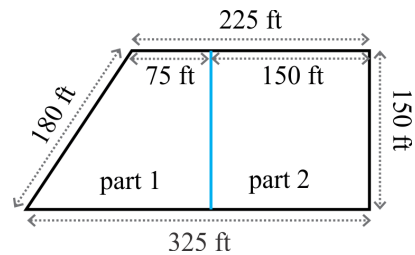
- a. What fraction of the total area of the yard
does the area of the house take?

- b. Find the area of the actual yard, not including
the area that the house takes.

- c. Find the cost of fencing this yard,
when the fence costs \$11.59 per meter,
and the gate costs \$120.



4. A father is leaving a plot of land to his two children. In his will, he specifies it to be divided into two parts as shown. The two children are not sure who is getting the larger part.



a. Find the area of part 2.

b. Find the area of part 1.

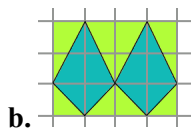
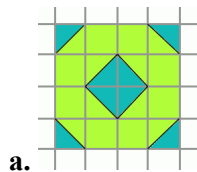
c. Find the area of the whole plot.

d. How many percent is the area of part 1 of the total area?

e. How many percent is the area of part 2 of the total area?

f. If the whole plot is valued at \$45,000, find the value of part 1 and part 2 to the nearest dollar.

5. These are designs for a decorative tiling. What fractional part of each design consists of the darker color?



6. This is a front side of a house. Find its area. The dimensions are given in feet.

